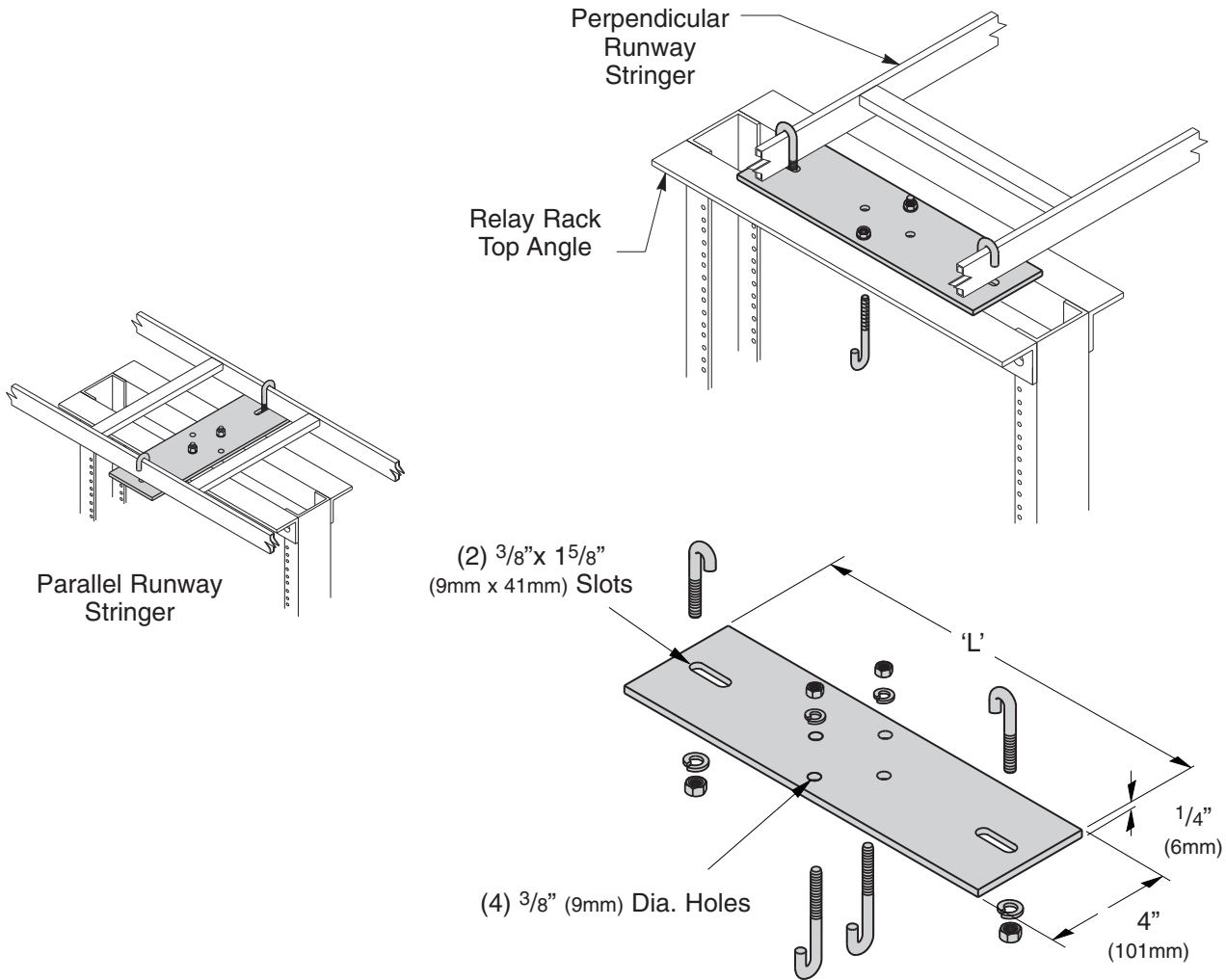


3" Upright Network Equipment Rack Top Plate Runway Support Kit

- Use to secure cable runway to top angles of network equipment rack.
- Accommodates runway in parallel or perpendicular arrangement.
- Includes: (1) mounting plate, (4) 'J' bolts with $\frac{5}{16}$ "-18 hardware.
- Material: ASTM A36 structural steel
- Finish__: Yellow Zinc (YZ),
Telco Gray Powder Coat (TG), or
Flat Black Powder Coat (FB)
(Other finishes are available upon request)



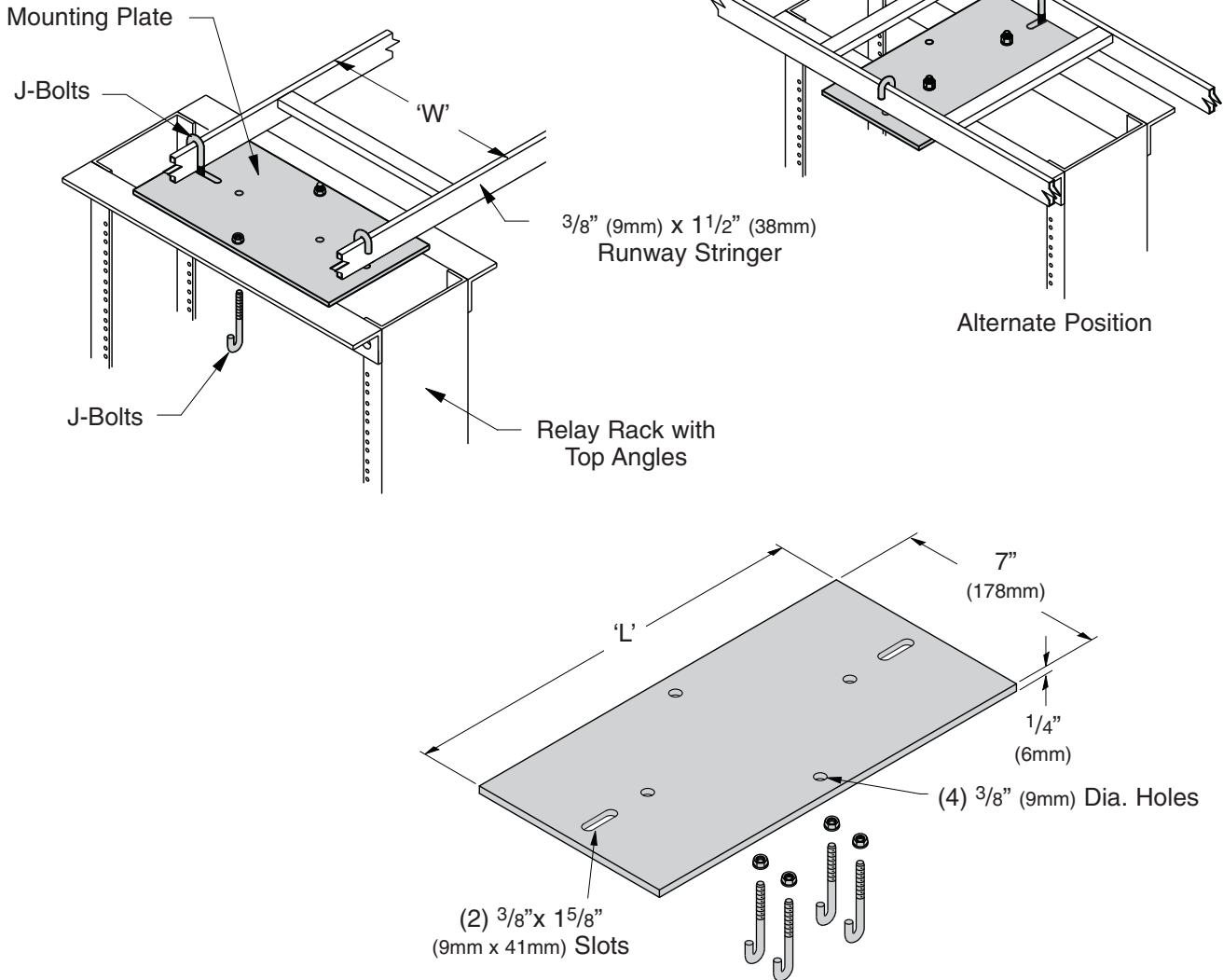
CABLE RUNWAYS
& ACCESSORIES

Part Number	Runway Width 'W'		Length 'L'		Weight	
	In.	(mm)	In.	(mm)	Lbs.	(kg)
SB213309__	6" - 9"	(152 - 228)	9 ³ / ₈ "	(238)	3.4	(1.5)
SB213312__	8" - 12"	(203 - 305)	12 ³ / ₈ "	(314)	4.3	(2.0)
SB213318__	14" - 18"	(355 - 457)	18 ³ / ₈ "	(467)	6.1	(2.8)
SB213324__	20" - 24"	(508 - 609)	24 ³ / ₈ "	(619)	12.5	(5.7)

 FB, TG & YZ are popular Bee List items

6" Upright Network Equipment Rack Top Plate Runway Support Kit

- Use to secure cable runway to top angles of network equipment rack.
- Accommodates runway in parallel or perpendicular arrangement.
- Includes: (1) mounting plate, (4) 'J' bolts with 5/16"-18 hardware.
- Material: ASTM A36 structural steel
- Finish ___: Yellow Zinc (YZ),
Telco Gray Powder Coat (TG), or
Flat Black Powder Coat (FB)
(Other finishes are available upon request)



Part Number	Runway Width 'W'		Length 'L'		Weight	
	In.	(mm)	In.	(mm)	Lbs.	(kg)
SB213209	6" - 9"	(152 - 228)	9 ³ / ₈ "	(238)	5.5	(2.49)
SB213212	8" - 12"	(203 - 305)	12 ³ / ₈ "	(314)	6.8	(3.08)
SB213218	14" - 18"	(355 - 457)	18 ³ / ₈ "	(467)	10.0	(4.53)
SB213224	24"	(609)	24 ³ / ₈ "	(619)	12.9	(5.85)

CABLE RUNWAYS & ACCESSORIES