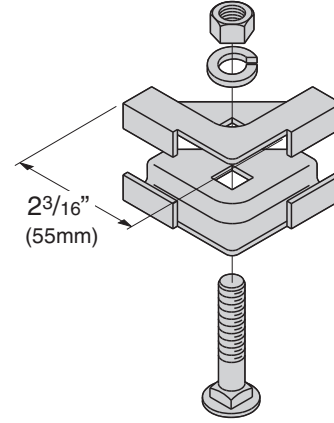
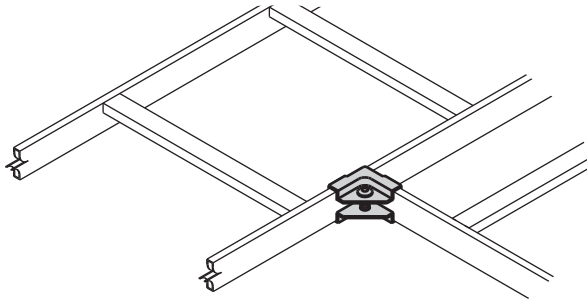


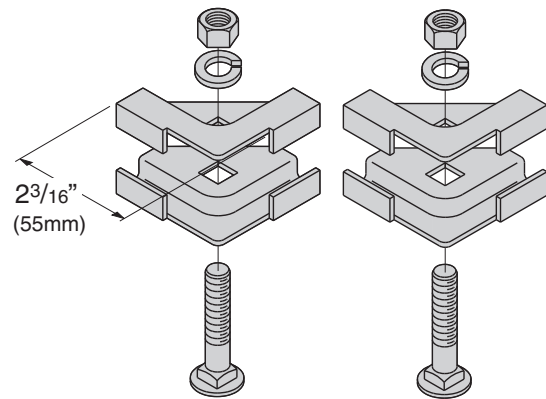
Runway 90° Junction Splice Clamp & Kit

- Use to connect cable runway stringers to form a 90° horizontal tee.
- SB165 includes one (1) clamp and hardware as shown.
- SB2101A kit includes two (2) clamps and hardware as shown.
- Material: ASTM A570 structural steel
- Finish___: Yellow Zinc (YZ) or Black Zinc (BZ)
- UL Classified - file number E60548



SB165

Part Number	Runway Height		Weight	
	In.	(mm)	Lbs.	(kg)
SB165___	1 1/2"	(38)	0.32	(.14)



SB2101A

Part Number	Runway Height		Weight	
	In.	(mm)	Lbs.	(kg)
SB2101A___	1 1/2"	(38)	0.63	(.28)

 BZ & YZ are popular Bee List items