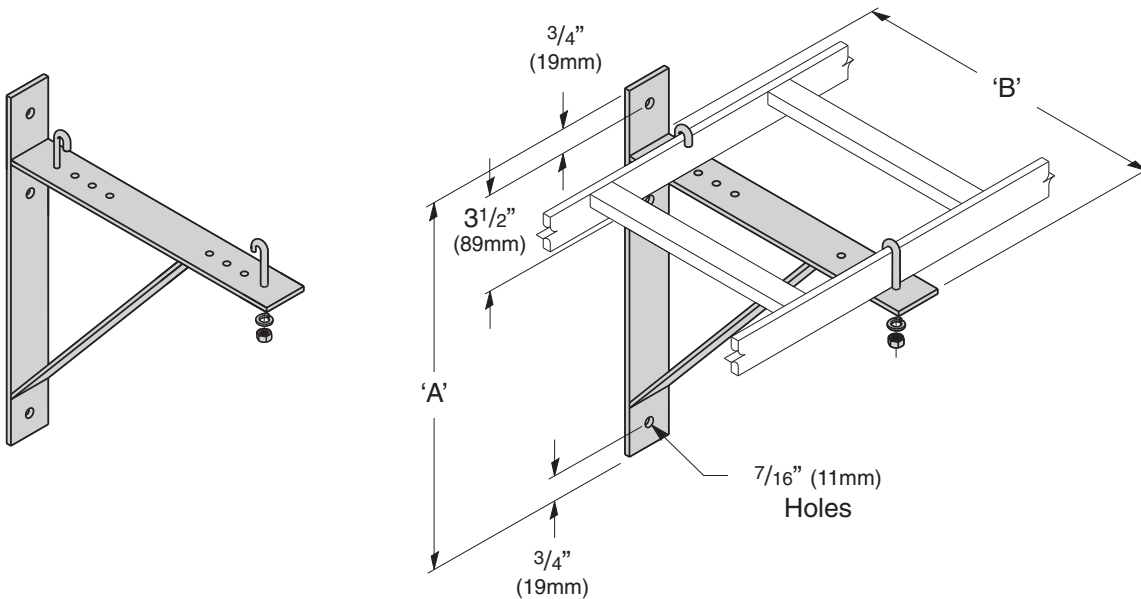


Triangular Runway Wall Support Kit

- Use to support cable runway from wall.
- Sized for both 1 1/2" (38mm) & 2" (51mm) stringers.
- Welded steel construction.
- Designed for 6" (152mm), 9" (228mm) and 12" (305mm) cable runways.
- Order anchors separately.
- See SB214 for larger sizes.
- Support width: 2" (51mm)
- Includes: (1) wall support, (2) 'J' bolts, and 5/16"-18 hardware.
- Material: 1/4" (6mm) ASTM A36 structural steel or 1/4" (6mm) 6063-T52 Aluminum
- Finish___: Yellow Zinc (YZ),
Telco Gray Powder Coat (TG) or
Flat Black Powder Coat (FB)
(Other finishes are available upon request)

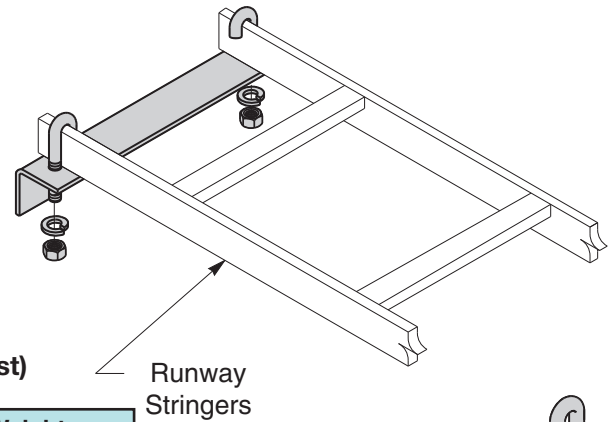


Part Number Steel	Runway Width 'W'		'A'		'B'		Weight	
	In.	(mm)	In.	(mm)	In.	(mm)	Lbs.	(kg)
SB21306K	6"	(152)	10"	(254)	7 7/8"	(254)	3.8	(1.7)
SB21312K	6" - 12"	(152 - 305)	13 1/8"	(254)	13 7/8"	(292)	5.9	(2.7)
SB21318K	12" - 18"	(305 - 457)	19 1/8"	(254)	19 7/8"	(368)	8.8	(4.0)

 FB, TG & YZ are popular Bee List items

Runway Wall Angle Support Kit

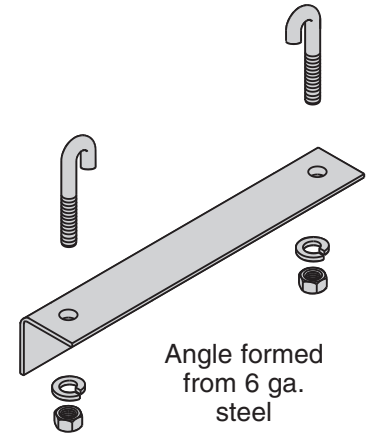
- Use to secure cable runway to a wall.
- Sized for both 1 1/2" (38mm) stringers.
- Order anchors separately.
- Includes: (1) angle bracket, (2) 'J' Bolts and 5/16"-18 hardware.
- Material: 6 Gauge ASTM A659 steel
- Finish: Yellow Zinc (YZ), Telco Gray Powder Coat (TG) or Flat Black Powder Coat (FB) (Other finishes are available upon request)



Part Number For	Runway Width		Weight	
	In.	(mm)	Lbs.	(kg)
SB211306	6"	(152)	2.10	(0.95)
SB211309	9"	(228)	2.60	(1.18)
SB211312	12"	(305)	3.70	(1.68)
SB211315	15"	(381)	4.50	(2.04)
SB211318	18"	(457)	5.40	(2.45)
SB211320	20"	(508)	6.00	(2.72)
SB211324	24"	(609)	7.20	(3.26)
SB211330	30"	(762)	9.00	(4.08)
SB211336	36"	(914)	10.80	(4.90)

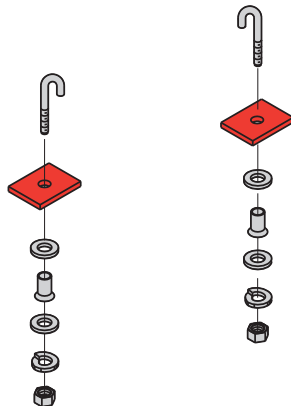
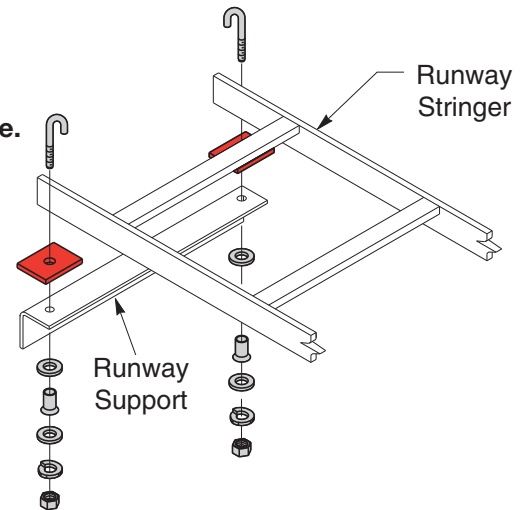


FB, TG & YZ are popular Bee List items



Runway Wall Support Isolation Kit

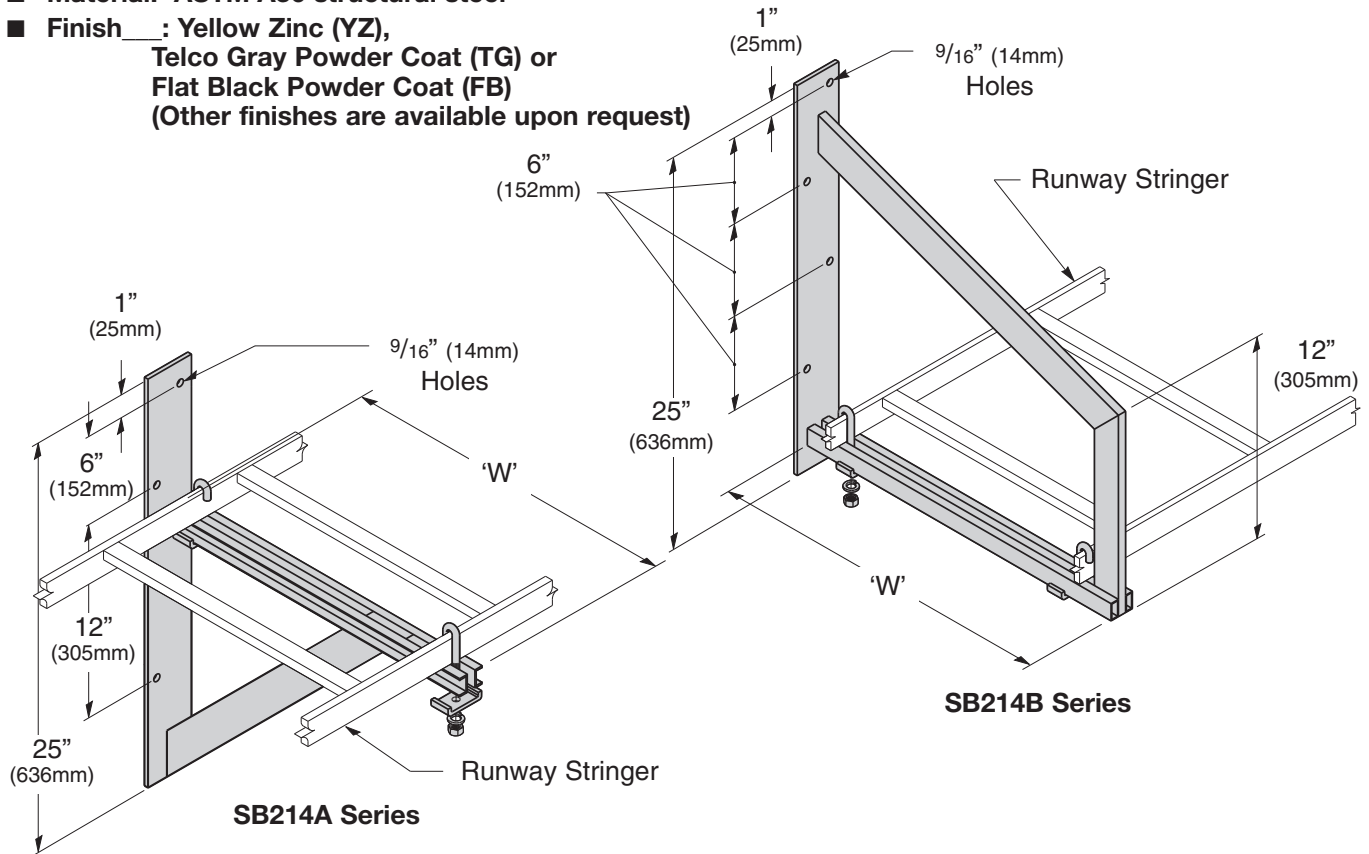
- Use to secure and provide electrical isolation of cable runway to wall support.
- Includes: (2) pads, (2) 'J' Bolts, (2) sleeve kits and hardware.
- Material: Polyester fiberglass - pad
6/6 Nylon - sleeve
steel - 'J' Bolt and hardware
- Finish: Pad - Red
Sleeve - Natural
J-Bolts and hardware - Yellow Zinc (YZ)



Part Number	Runway Height		Weight	
	In.	(mm)	Lbs.	(kg)
SB2501	1 1/2"	(38)	0.20	(0.09)

Runway Wall Support

- Use to support cable runway from wall.
- Sized for both 1 1/2" stringers.
- Welded steel construction.
- Designed for 15" (381mm), 18" (457mm) and 24" (609mm) cable runways.
- See SB213 for smaller sizes.
- Order anchors separately.
- Includes: (1) wall support, (2) 'J' bolts, (2) framing clips and 5/16"-18 hardware.
- Material: ASTM A36 structural steel
- Finish___: Yellow Zinc (YZ),
Telco Gray Powder Coat (TG) or
Flat Black Powder Coat (FB)
(Other finishes are available upon request)



SB214A Series

Part Number	Runway Width		'W' Bracket Width		Weight	
	In.	(mm)	In.	(mm)	Lbs.	(kg)
SB214A15K___	15"	(381)	18"	(457)	9.0	(4.1)
SB214A18K___	18"	(457)	21"	(533)	9.3	(4.2)
SB214A24K___	24"	(609)	27"	(686)	10.0	(4.5)

SB214B Series

Part Number	Runway Width		'W' Bracket Width		Weight	
	In.	(mm)	In.	(mm)	Lbs.	(kg)
SB214B15K___	15"	(381)	18"	(457)	10.0	(4.5)
SB214B18K___	18"	(457)	21"	(533)	10.5	(4.7)
SB214B24K___	24"	(609)	27"	(686)	11.4	(5.2)