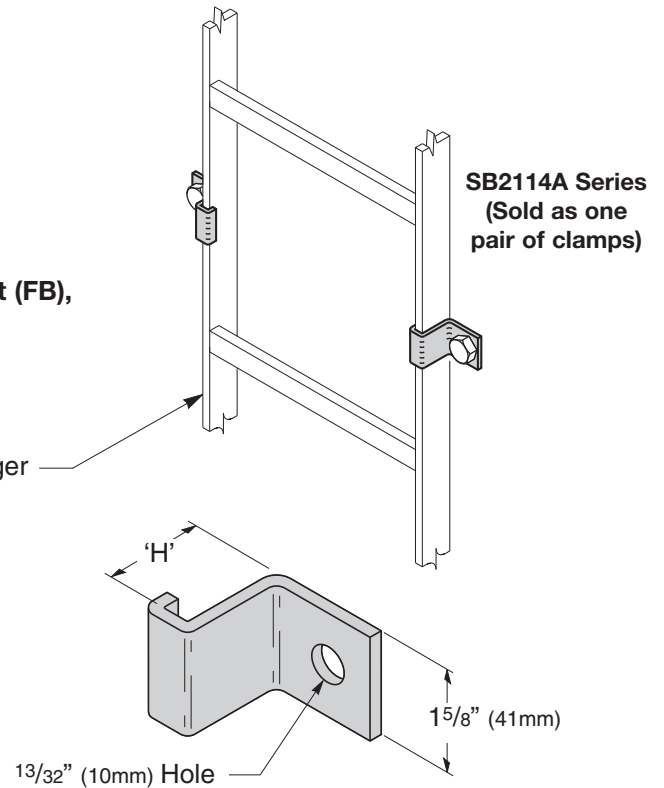


Runway Hold-Down Clamp Kit

- Use to secure cable runway to wall, floor, ceiling, or strut.
- Order anchors separately.
- SB2114A Series include two (2) wall clamps.
- SB164 Series include one (1) wall clamp.
- Material: 11 Ga. (3.0mm) ASTM A570 structural steel
- Finish__: Yellow Zinc (YZ), Flat Black Powder Coat (FB), or Telco Gray Powder Coat (TG)



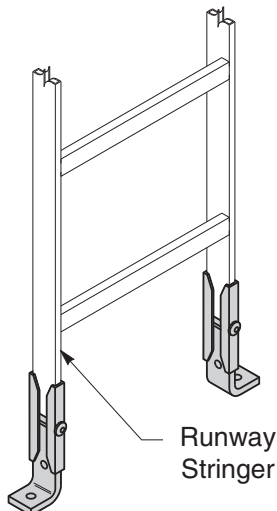
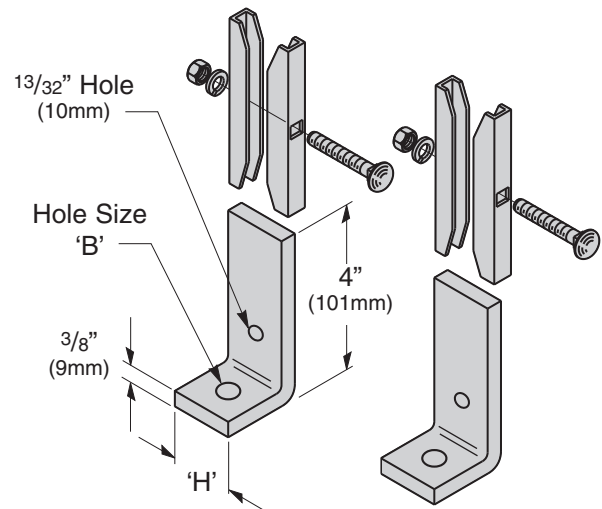
Part Number	Runway Height 'H'		Weight	
	In.	(mm)	Lbs.	(kg)
SB2114A	1 1/2"	(38)	0.54	(0.24)
SB16411/2 *	1 1/2"	(38)	0.27	(0.12)

FB & YZ are popular Bee List items

SB164 (*Sold as one clamp)

Runway Foot Kit

- Use to secure cable runway to floor, ceiling, or wall.
- Order anchors separately.
- Includes: (2) end supports, (2) clamps and 5/16"-18 hardware.
- Material: ASTM A36 structural steel
- Finish__: Yellow Zinc (YZ) or Black Zinc (BZ)
- UL Classified - file number E60548



Part Number	Runway Height 'H'		Hole Size 'B'		Weight	
	In.	(mm)	In.	(mm)	Lbs.	(kg)
SB2106A	1 1/2"	(38)	7/16"	(11)	2.60	(1.18)
SB2106B	1 1/2"	(38)	9/16"	(14)	2.60	(1.18)

BZ & YZ are popular Bee List items