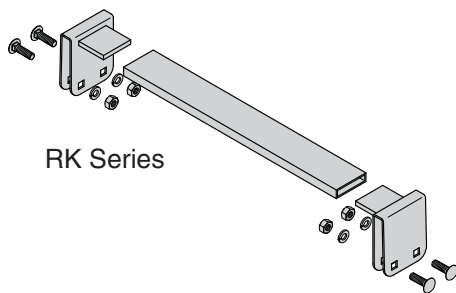
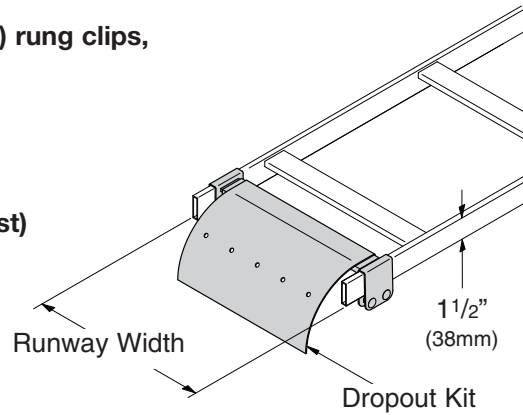
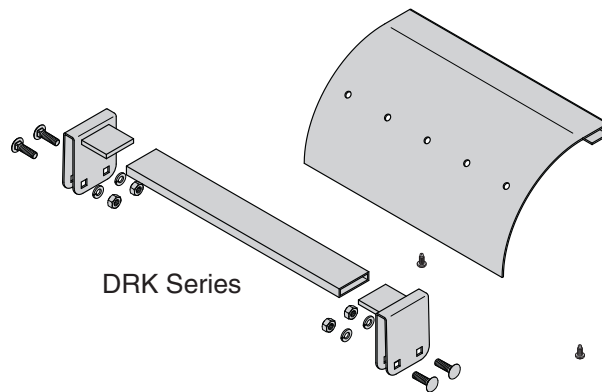


## Rung Drop-Out Kit

- Used to insert an extra rung on existing runway sections to accommodate cable drops.
- Attaches to 1 1/2" (38mm) x 3/8" (9mm) stringers.
- Compatible with all 1 1/2" (38mm) stringer runway styles.
- SB17RK series rungs include: (1) rung, (2) rung clips and assembly hardware.
- SB17DRK series drop-out kits include: (1) rung, (2) rung clips, (1) runway dropout and assembly hardware.
- Steel construction
- Finish\_\_\_: Yellow Zinc (YZ),  
Telco Gray Powder Coat (TG) or  
Flat Black Powder Coat (FB)  
(Other finishes are available upon request)



RK Series

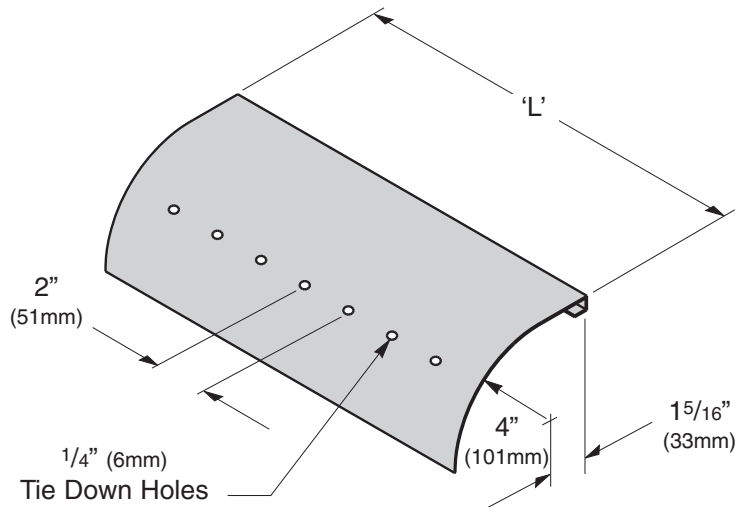
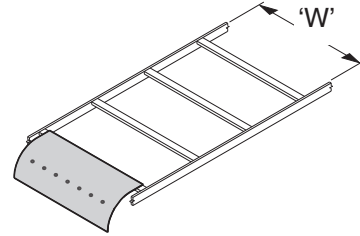


DRK Series

Part Number		Runway Width		Weight Each			
RK Series	DRK Series	'W'		RK Series		DRK Series	
		In.	(mm)	Lbs.	(kg)	Lbs.	(kg)
SB17RK05__	SB17DRK05__	5"	(127)	0.9	(0.41)	1.4	(0.63)
SB17RK06__	SB17DRK06__	6"	(152)	0.9	(0.41)	1.6	(0.72)
SB17RK09__	SB17DRK09__	9"	(228)	1.1	(0.50)	2.3	(1.04)
SB17RK12__	SB17DRK12__	12"	(305)	1.3	(0.59)	3.0	(1.36)
SB17RK15__	SB17DRK15__	15"	(381)	1.5	(0.68)	3.6	(1.63)
SB17RK18__	SB17DRK18__	18"	(457)	1.6	(0.72)	4.3	(1.93)
SB17RK20__	SB17DRK20__	20"	(508)	1.8	(0.81)	4.8	(2.17)
SB17RK24__	SB17DRK24__	24"	(609)	2.0	(0.91)	5.7	(2.58)
SB17RK30__	SB17DRK30__	30"	(762)	2.4	(1.09)	7.1	(3.22)
SB17RK36__	SB17DRK36__	36"	(914)	2.7	(1.22)	8.4	(3.81)

## Steel Runway Drop-Out

- Use to provide a smooth radius for cable exit.
- SB2129 Series fits channel or tube rungs 1/2" (13mm) x 1" (25mm).
- SB2129U Series fits rungs 3/8" (9mm) x 1 1/2" (38mm).
- Cable tie down holes provided.
- 4" (102mm) cable bend radius.
- Includes: self-drilling screws
- Material: 18 Gauge (1.2mm) ASTM A569 steel
- Finish \_\_\_: Yellow Zinc (YZ),  
Telco Gray Powder Coat (TG) or  
Flat Black Powder Coat (FB)  
(Other finishes are available upon request)



CABLE RUNWAYS & ACCESSORIES

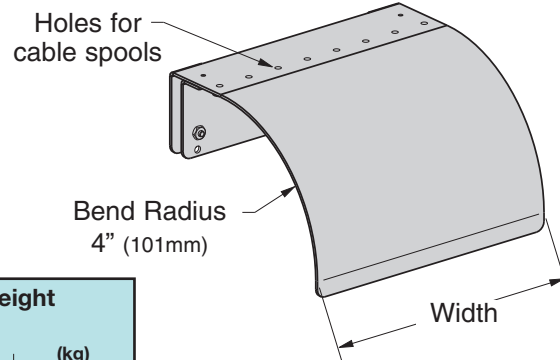
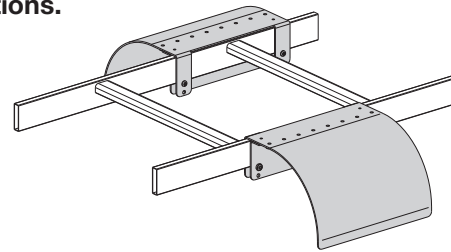
Part Number SB2129 Series	Part Number SB2129U Series	Dropout Width 'L'		Runway Width 'W'		Weight	
		In.	(mm)	In.	(mm)	Lbs.	(kg)
SB212906	SB2129U06	4"	(101)	6"	(152)	0.7	(0.31)
SB212909	SB2129U09	7"	(178)	9"	(228)	1.2	(0.54)
SB212912	SB2129U12	10"	(254)	12"	(305)	1.7	(0.77)
SB212915	SB2129U15	13"	(330)	15"	(381)	2.2	(0.99)
SB212918	SB2129U18	16"	(406)	18"	(457)	2.7	(1.22)
SB212920	SB2129U20	18"	(457)	20"	(508)	3.0	(1.36)
SB212924	SB2129U24	22"	(559)	24"	(609)	3.7	(1.67)
SB212930	SB2129U30	28"	(711)	30"	(762)	4.7	(2.13)
SB212936	SB2129U36	34"	(863)	36"	(914)	5.7	(2.58)



 FB is a popular Bee List item

## Side Drop-Out

- Allows for cable to exit from side of cable runway stringer.
- Provides a radius bend in accordance with EIA recommendations.
- Will fit either 3/8" (9mm) x 1 1/2" (38mm) or 2" (51mm) stringers.
- Includes installation hardware.
- Material: 14 ga. (1.9mm) ASTM A36 steel
- Finish\_\_: Yellow Zinc (YZ),  
Telco Gray Powder Coat (TG) or  
Flat Black Powder Coat (FB)  
(Other finishes are available upon request)

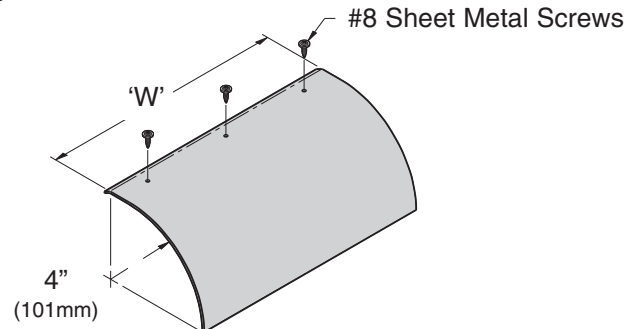
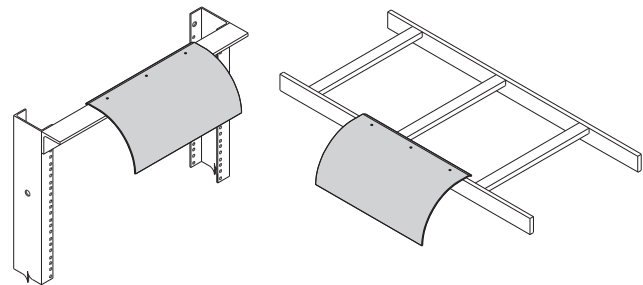


Part Number	Width		Weight	
	In.	(mm)	Lbs.	(kg)
SB2129SD09__	9"	(228)	1.8	(0.8)
SB2129SD12__	12"	(305)	2.0	(0.9)

 BZ & YZ are popular Bee List items

## Universal Drop-Out

- Drop-out can be used on both cable runway and relay racks.
- Provides a radius bend in accordance with EIA recommendations.
- Attaches with sheet metal screws (included).
- Material: Aluminum
- Finish\_\_: Brushed Aluminum (AL),  
Telco Gray Powder Coat (TG),  
Computer White Powder Coat (CW) or  
Flat Black Powder Coat (FB)



Part Number	'W'		# of Screws	Weight	
	In.	(mm)		Lbs.	(kg)
SB78706__	5.44	(138)	2	0.3	(0.13)
SB78712__	11.44	(290)	3	0.7	(0.32)
SB78718__	17.44	(443)	4	1.1	(0.50)