



DITEK Corporation
ONE DITEK CENTER
1720 Starkey Road
Largo, FL 33771

INSTALL INSTRUCTIONS

DTK-120/240 HDII

This Surge Protection Device (SPD) is a high performance device, designed to provide protection for sensitive electronic loads connected to service panels, fire panels, or where the SPD is directly connected to the electronic device. Maximum protection will only be achieved if the SPD is properly installed.

Please read and follow the installation instructions carefully.

NOTICE: This SPD should be installed by a qualified electrician in accordance with the National and Local Electrical Codes and the following instructions.

APPLICATION

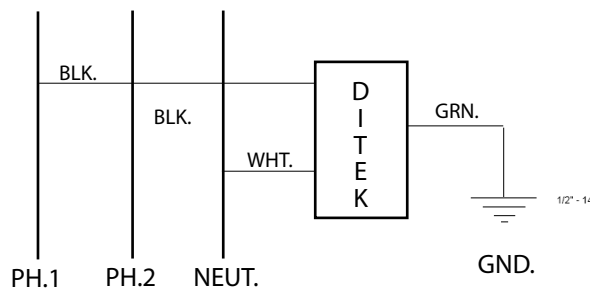
Surge suppression for hardwired parallel installations on 120/240 VAC split phase circuits.

INSTRUCTIONS:

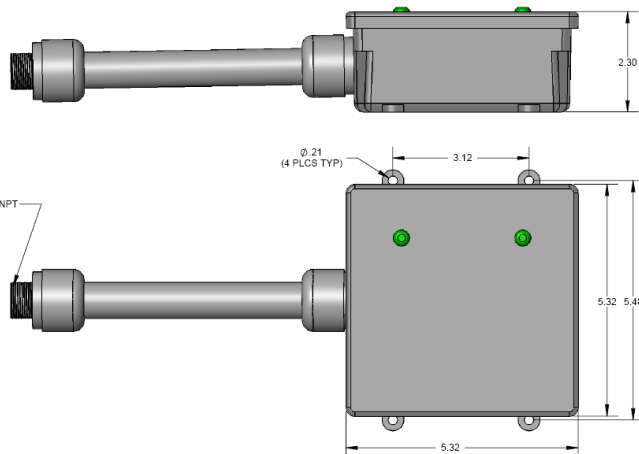
Caution: Measure all voltages to insure applied voltage does not exceed the voltage rating of the unit. Improper installation voids the warranty.

NOTE: Suitable for use on a circuit capable of delivering not more than 10,000 rms symmetrical Amperes 120/240 volts maximum when protected by a 20 Ampere circuit breaker rated 120/240 volts maximum. The interrupting rating of the circuit breaker shall not be less than the available fault current.

1. Turn off the power at the circuit breaker or main before beginning installation.
2. Remove front cover from the panel.
3. Remove 1/2" knockout on side of panel box.
4. Unscrew nut from unit.
5. Feed all wires and the DTK-120/240 HDII nipple through knockout hole then through nut, tighten nut securing the unit.
6. For **electrical panel/disconnect installation**. In this application, connect the DTK-120/240 HDII to the load side of the fuse or circuit breaker. Also, make sure the leads are as short as possible with the ground wire being the shortest of all.
Ground Resistance Rule: Max ground resistance is 25 ohms, 5 ohms or less is optimum. This cannot be an assumed value and must be measured to assure proper grounding.
7. Connect the ground wire (Green) to the grounding buss of the panel, making sure the ground wire is as short as possible.
8. Connect the neutral wire (White) to the neutral buss of the panel.
9. Connect the phase wires (Black) to the load side of the breaker.
10. After all connections have been made and no hazards exist, restore power.



EXPECTED SYSTEM VOLTAGES						
120/240VAC	L1-N	L2-N	L1-G	L2-G	L1-L2	N-G
VOLTAGES	120	120	120	120	240	0



DITEK Technical Support Available 24/7
1-888-472-6100
www.ditekcorp.com

Doc # INT-100094-001
Part No. 191394 Rev. 4

Drawn By: J.Ramirez 3-20-06
Approved By: R.Mitchell 1-9-08

INSTALLATION