



# WM, WD, WS and WE Series Wall Mount **Installation Instructions**



[www.WeRackYourWorld.com](http://www.WeRackYourWorld.com)

**1-866-TRY-GLCC (879-4522)**

# WALL MOUNT ACCESSORIES

PART NO.	DESCRIPTION	WM	WS	WD	WE
DK2*	Dust Resistant Kit, 4 cover plates, 4 fan filters and hardware	<input checked="" type="checkbox"/>	<input type="checkbox"/>	<input type="checkbox"/>	<input type="checkbox"/>
FFK1	Four Fan Filters	<input checked="" type="checkbox"/>	<input checked="" type="checkbox"/>	<input checked="" type="checkbox"/>	<input type="checkbox"/>
HDW-104-50	Package of 50 Pan Head Phillips #12-24 x 1/2" screws Type 23, Black	<input checked="" type="checkbox"/>	<input checked="" type="checkbox"/>	<input checked="" type="checkbox"/>	<input type="checkbox"/>
WS-22	66/110 Block Mounting Panel	<input checked="" type="checkbox"/>	<input checked="" type="checkbox"/>	<input checked="" type="checkbox"/>	<input checked="" type="checkbox"/>

\* Will not fit GL2418WM

When installing a Great Lakes wall-mounted rack enclosure to materials such as wood, cinder block, concrete, etc., please consider the load capacity within the wall mount structure, and be certain to check with local authorities to determine the appropriate hardware requirements for these conditions. Because wall compositions may vary at different installation sites, Great Lakes cannot warrant the fitness or suitability of any installation instructions or installation hardware it may provide for wall-mount rack enclosures. Great Lakes hereby **DISCLAIMS ALL WARRANTIES, EXPRESS AND IMPLIED, INCLUDING THE IMPLIED WARRANTIES OF MERCHANTABILITY AND FITNESS FOR A PARTICULAR PURPOSE, REGARDING THE SUFFICIENCY, FITNESS OR SUITABILITY OF ANY INSTALLATION INSTRUCTIONS OR INSTALLATION HARDWARE GREAT LAKES MAY PROVIDE FOR WALL-MOUNTED ENCLOSURES.** Great Lakes recommends that an experienced maintenance and/or technical person be consulted regarding the proper wall-mounting hardware and procedures to be used for the anticipated load capacity of the wall-mounted rack enclosure.

*Product specifications are subject to change without prior notice.*

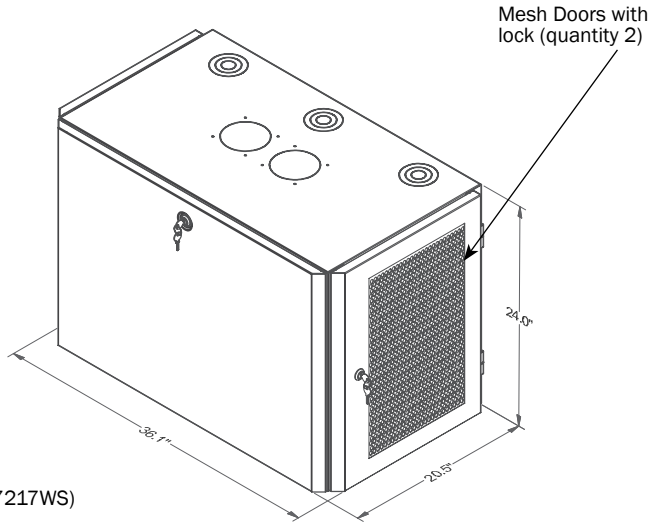
## Great Lakes Case & Cabinet Co., Inc.

P.O. Box 551 • Edinboro, PA 16412  
1-866-TRY-GLCC • (1-866-879-4522)  
Phone: 814.734.7303  
Fax: 814.734.3907

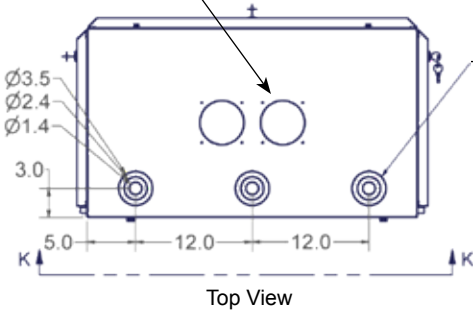
*www.WeRackYourWorld.com*

# WE SERIES WALL MOUNT ENCLOSURE

1. Mounting holes are designed for 1/4" hardware, 16.00" on center.
2. Wall Mount must be mounted to three wall studs to achieve maximum weight capacity.

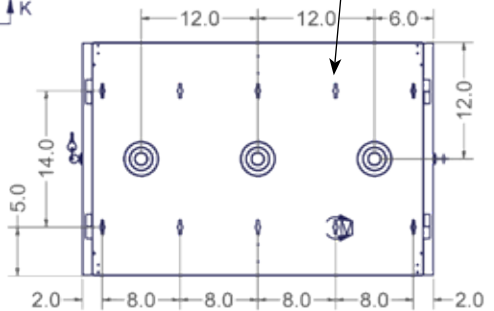


Fan Assembly Provision (7217WS)



1", 2" and 3" nominal concentric conduit knockout; Typ. 3 top & bottom Typ. 3 rear

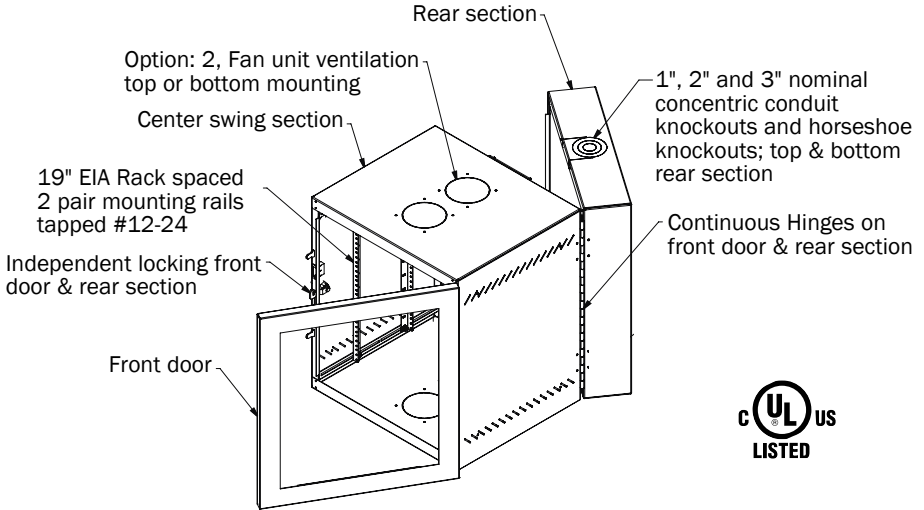
Mounting holes for 1/4" hardware



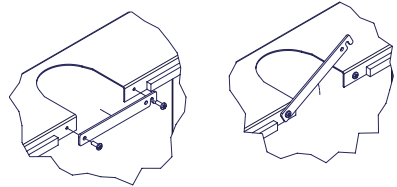
Rear View

# WM SERIES WALL MOUNT ENCLOSURE

1. Mounting holes are designed for 1/4" hardware, 16.00" on center.
2. Use the template on the shipping box to locate your mounting holes.(WM & WS only)



Part No.	H	W	D
GL2418WM	24.00"	21.25"	18.00"
GL24WM	24.00"	21.25"	24.50"
GL36WM	36.00"	21.25"	24.50"
GL48WM	48.00"	21.25"	24.50"



Use latch supplied in hardware bag, when horseshoe knockout is used

